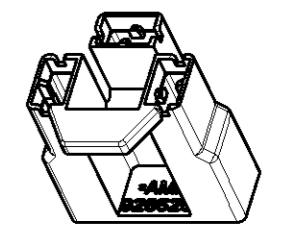
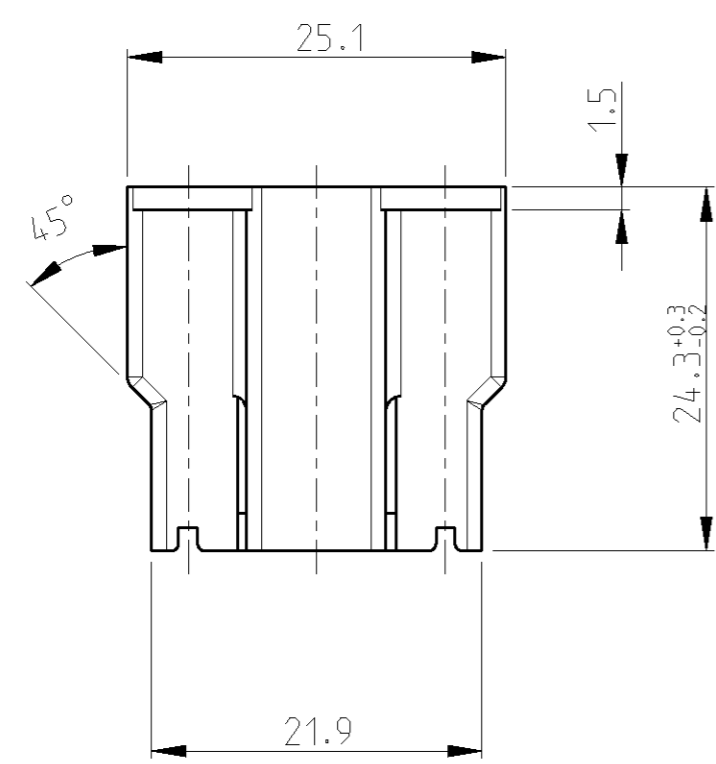
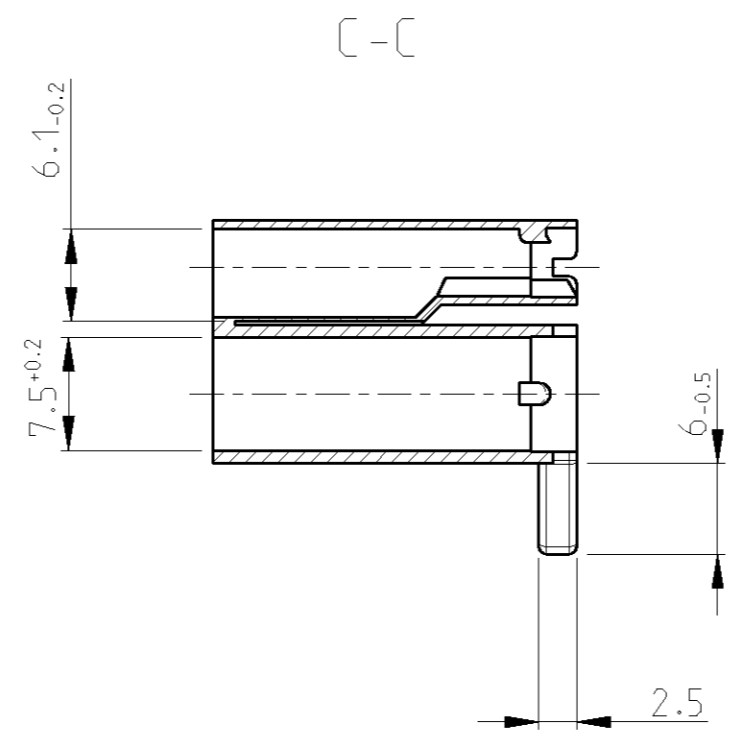
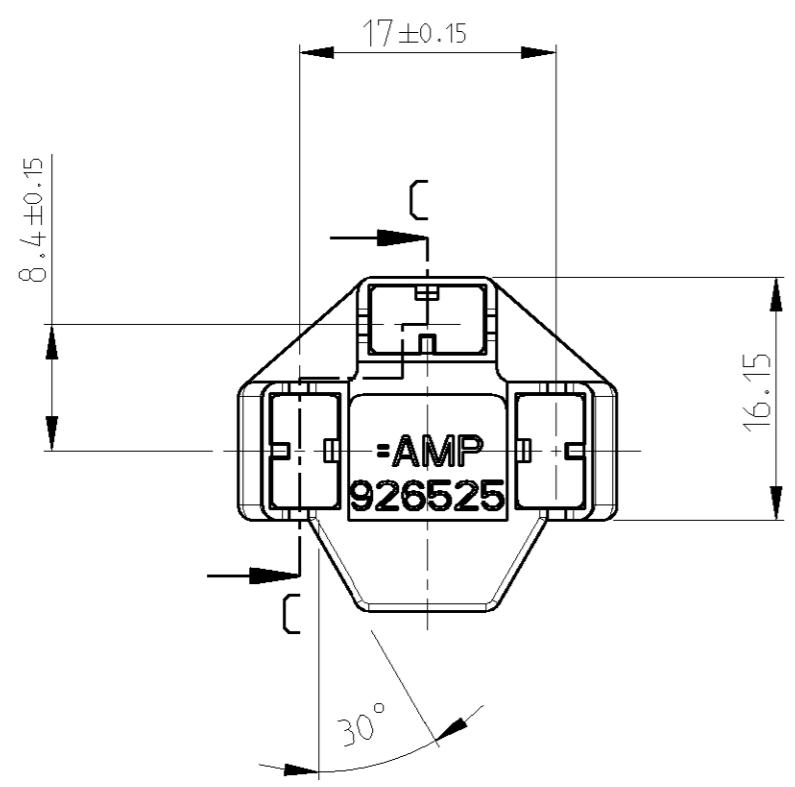


THIS DRAWING IS UNPUBLISHED. RELEASED FOR PUBLICATION 2005
 © COPYRIGHT 2005 BY TYCO ELECTRONICS CORPORATION. ALL RIGHTS RESERVED.

LOC	DIST	REVISIONS				
P	LTR	DESCRIPTION	DATE	DWN	APVD	
A1	-	L1	NEW CAD DRAWING CREATED	18NOV2005	Abr	Goep
		L2	Dim.24.3+0.3/-0.2 was 24.13	08DEC2005	Abr	Goep



1:1

PA 6.6	BLACK	926525-1	L
MATERIAL	COLOUR	PART NUMBER	REV

THIS DRAWING IS A CONTROLLED DOCUMENT FOR TYCO ELECTRONICS CORPORATION IT IS SUBJECT TO CHANGE AND THE CONTROLLING ENGINEERING ORGANIZATION SHOULD BE CONTACTED FOR THE LATEST REVISION.		DWN Abraham.G. 18NOV2005	tyco tyco Electronics AMP GmbH	
DIMENSIONS: mm		CHK Goepfel.C. 22NOV05	Electronics 64625 Bensheim (Germany)	
TOLERANCES UNLESS OTHERWISE SPECIFIED: 0 PLC ±0.2 1 PLC ±0.2 2 PLC ±0.2 3 PLC ±0.2 4 PLC ±0.2 ANGLES ±1°30'		APVD -	NAME 3 POS.POS.-LOCK HOUSING (HEATER) 3 pol. Pos.-Lock Gehaeuse (Heizgeblaese)	
MATERIAL -		PRODUCT SPEC 108-18112-1	SIZE A3	RESTRICTED TO -
FINISH -		APPLICATION SPEC -	CAGE CODE 00779	DRAWING NO C=926525
MATERIAL -		WEIGHT -	SCALE 2:1	SHEET 1 OF 1
CUSTOMER DRAWING		REV L2		